

*Features:

- HALED patent optics design, similar to halogen light effect
- Can replace halogen lamp directly
- Easy and quick installation
- $PF > 0.85$, flicker free, following new ErP
- Dimmable by triac dimmer, 4.7W HALED lamp replace 50W halogen lam
- CRI 95, $R9 > 70$
- Low UGR, high center light intensity
- Suitable for all kinds of unenclosed luminaire
- Metal appearance, excellent heat dissipation
- Lifespan 40000 hrs, 5 years warranty
- High energy efficiency

CE RoHS ErP



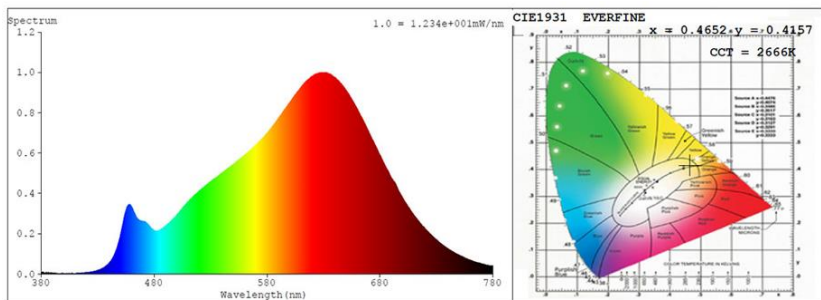
Applications

- Residential application and hotel lighting.
- Commercial lighting like restaurants, bars,cafes, etc.

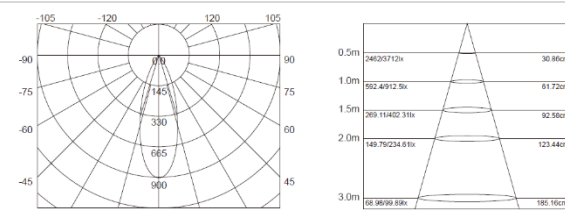
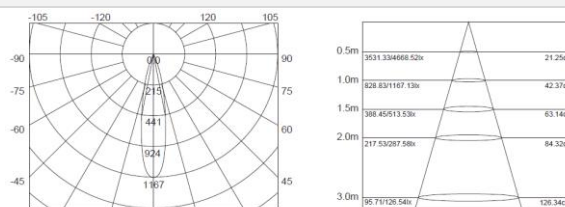
Technical data

Part No.	Type of installation		
DGU10 KC50T5	GU10/ Par16		
Electrical specifications			
Wattage (W)	4.7W	Power factor	>0.85
AC input voltage (V)	AC200V-240V	Current	27mA
Frequency (Hz)	50/60Hz	DC output voltage (V)	-
Ficker metric PST	0.023	Stroboscopic effect metric SVN	0.25
Total harmonic distortion (THD)	27%	Dimmable	Yes
Max. no. of lamps on B16A circuit breaker	450	Max. no. of lamps on C10A circuit breaker	240
Max. no. of lamps on C16A circuit breaker	450		
Photometric specifications			
Color temperature (CCT)	2700K/3000K	CRI/ R9	95/ >90(Min.)
Chromaticity coordinate (x/ y)	2700K: 0.459/ 0.412	Standard deviation of colour	≤3 SDCM
Useful luminous flux (lm)	350lm ± 5%	Luminous efficiency (lm/W)	86lm/ W (ERP)
UGR	≤19		

Photometric Information



EAN	Colour	Beam angle	Peak Luminous intensity
26017(2700K) 26018(3000K)	Titanium	24°	1150cd
26012(2700K) 26013(3000K)	Titanium	36°	900cd



Mechanical specifications

Housing material	Aluminium
Optical cover/ lens material	AlReflector+PC+Glass
Width/ diameter	50mm
Product weight	47g

Lifespan

Number of switching cycles	100,000-
L80/B10 service life at 25°C	40,000 hrs
Warranty	5 Years

Application parameters

Working temperature range	-20~+50°C
---------------------------	-----------

Package

Individual package length	50mm
Individual package height	65mm
Driver	Internal
Shipping box length	580mm
Shipping box height	185mm

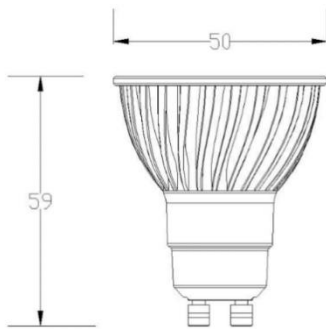
Housing Colour	Titanium
Length/ diameter	50mm
Height	59mm

L70/B50 service life at 25°C	50,000 hrs
L90/B10 service life at 25°C	20,000 hrs

Storage temperature range	-20~+70°C
---------------------------	-----------

Individual package width	50mm
Gross weight (single item)	60g
Packaging unit	100pcs
Shipping box width	285mm
Gross weight (Shipping box)	8kgs

Technical Drawings (mm)



Package



Inner Box 50*50*65mm



Inner Carton 270*110*80mm(10PCS)

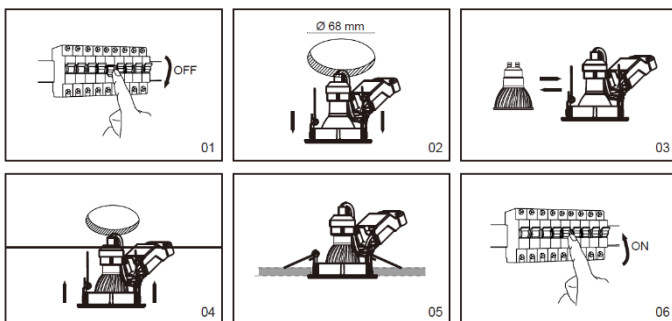


Shipping Carton 580*285*185mm(100PCS)

Installation /Mounting:

Please read the entire instruction manual before using the product and reserve it for future reference. We reserve the right for any error in text or image and any necessary change made to technical data. If you have any question regarding technical problems, please contact our Customer Services.

Replacement



Cautions:

- Don't touch the lamp when it is lighted
- Don't use it in enclosed luminaire
- Power off before replacement
- Do not in violation of any fire regulations when using
- Consult professional electricians for technical support
- If the cable is damaged, it must be replaced by the manufacturer and its service agent, or qualified person in order to avoid hazards.